



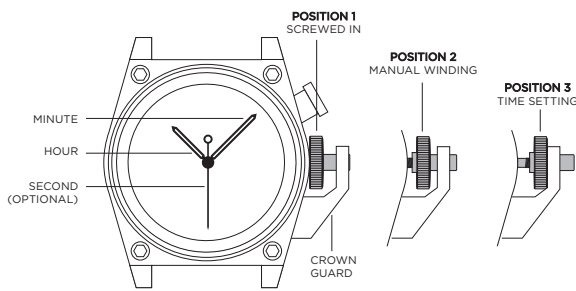
KINGSLEY N°1945®

USER MANUAL

VINTAGE WW2-ERA INSPIRED WATCHES
DESIGNED AND ENGINEERED BY
KINGSLEY WATCH CO. PROV., RI USA

TYPE 1 GRENADE AUTOMATIC

SETTING THE TIME



STEP 1: UNSCREWING THE CROWN

1. Unscrew crown counter clockwise until you feel crown spring out

STEP 2: WINDING THE MOVEMENT

1. Wind the crown clockwise 60 full 360 degree turns to power second hand

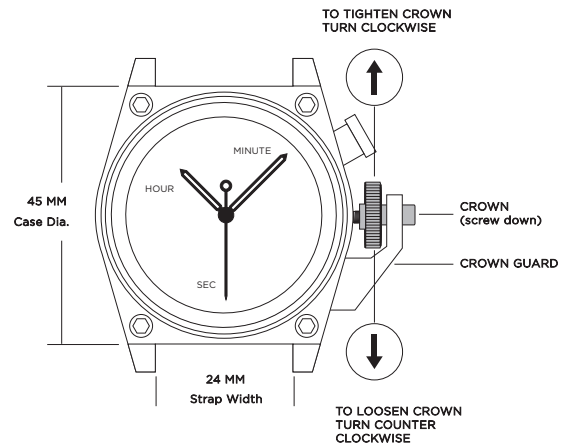
STEP 3: SETTING THE TIME

1. Pull crown out to POSITION 3
2. Rotate crown clockwise to set the time
3. Push and screw down crown clockwise against the case (POSITION 1)

IMPORTANT CARE TIPS:

1. Always gently screw down the crown against the case when wearing, to maintain maximum moisture and water protection
2. Gently wind the crown 30 times every other day during daily use, this will maintain consistent daily accuracy and prevent time from stopping.

CASE & CROWN DETAILS



ABOUT YOUR WATCH

WHAT COULD DAMAGE MY WATCH?

Exposure to heat and moisture, wearing in the sauna, steamroom, submerging in water, contact with sand or salt, extreme heat (+140 F), below freezing (-32 F), rubbing hand sanitizer or alcohol on leather strap, sports and rigorous activities that can shock the watch movement

WHY ARE MY HANDS SLIGHTLY OFF?

A small range in hand alignment in vintage movements is normal. Your Vintage Inspired movement may have slight variations in hand alignment that Re-align themselves within a 24-48 hour period.

WHY DO I HEAR A CLICK WHEN IM SETTING THE TIME?

That is normal. The click sound is the movement date function wheel turning underneath the dial. If your watch does not have a date window you may experience this sound.

WHY DOES MY WATCH VIBRATE WHEN I TWIST MY WRIST?

This is common character of an older vintage self-winding movement. This is an oscillating part of the movement that is winding and creates a distinct vibration that you feel if you are twisting your wrist from side to side.

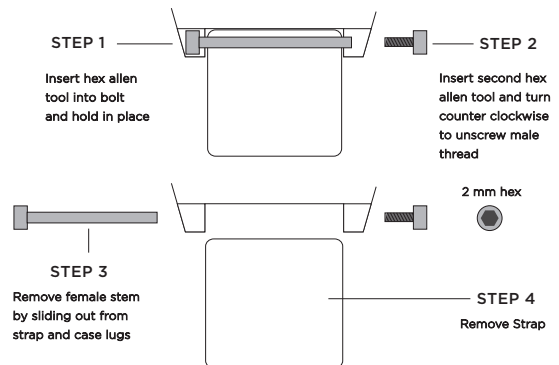
WHAT COULD THROW OFF THE TIMING OF MY WATCH?

Accidental drop or excessive force of your wrist can cause the hands to shift or come apart from the movement. Resting the watch on its sides or upside down can make hands run fast or slow by as much as 5 minutes or stop timing. If this happens you simply wind and reset the time.

WHAT CAN CAUSE MY WATCH TO STOP DURING WEAR?

Improper hand winding when first using your watch can cause the watch to run out of power reserve. Insufficient wrist motion or wearing for less than 8 hrs per day.

ABOUT YOUR STRAP



STRAP INSTALLATION INSTRUCTIONS:

1. We recommend going to your jeweler/watchmaker to install or remove the watch straps. On some models we have enclosed a strap installation tool to be used by a watch professional for reference. DO NOT OVERTIGHTENED HEX SCREWS.

INSTALLATION TOOL DISCLAIMER:

1. KINGSLEY, llc claims no responsibility for any strap removal or installation using any enclosed tools that results in any damaged to the watch or any personal harm of any type.